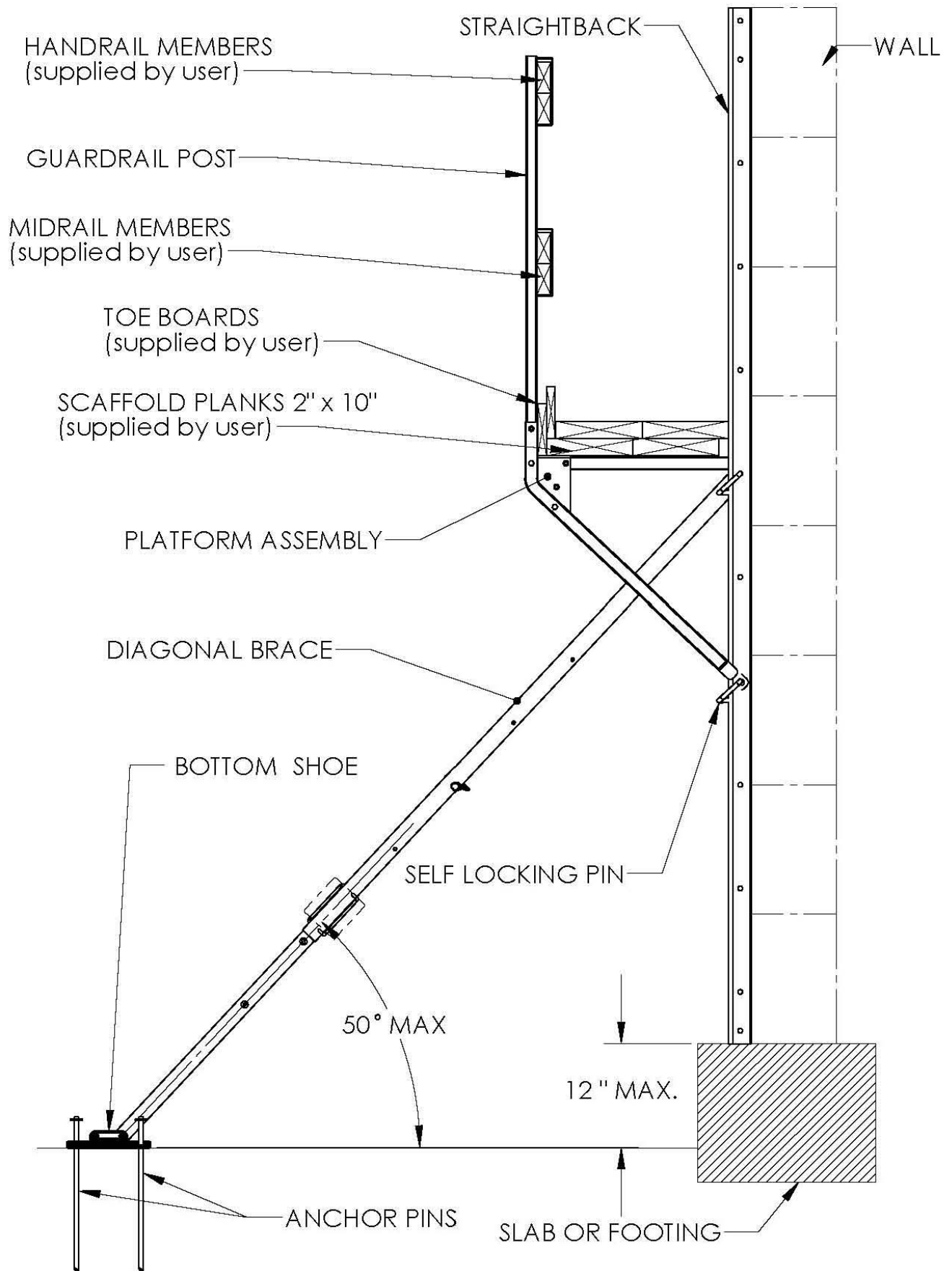


THE GIRAFE : ICF ALIGNMENT SYSTEM

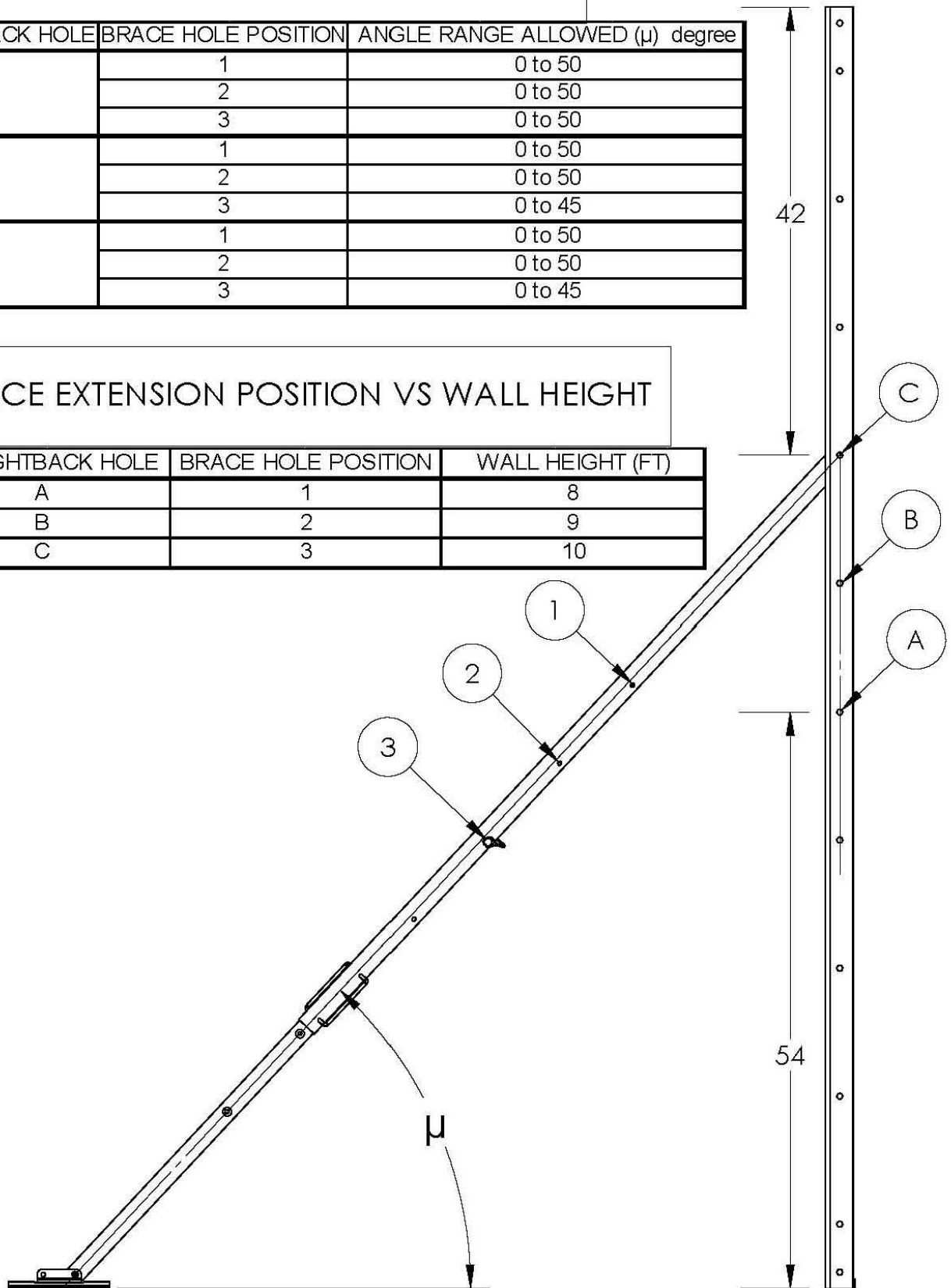


BRACE EXTENSION & ANGLE RANGE

STRAIGHTBACK HOLE	BRACE HOLE POSITION	ANGLE RANGE ALLOWED (μ) degree
A	1	0 to 50
	2	0 to 50
	3	0 to 50
B	1	0 to 50
	2	0 to 50
	3	0 to 45
C	1	0 to 50
	2	0 to 50
	3	0 to 45

BRACE EXTENSION POSITION VS WALL HEIGHT

STRAIGHTBACK HOLE	BRACE HOLE POSITION	WALL HEIGHT (FT)
A	1	8
B	2	9
C	3	10



FASTENING REQUIREMENTS

Use #10 Pan Head screw to secure the Straightback on ICF, maximum spacing 16", torque to allow vertical movement. (supplied by user)

Install screws at the top of the slots

Fix guardrail members with pan head wood screw #10 x 1 1/2". (supplied by user)

Fix toe board to plank with nails or wood screws (supplied by user)

Secure each planks with two #10 x 3 1/2" wood screws at each overlap. (supplied by user)

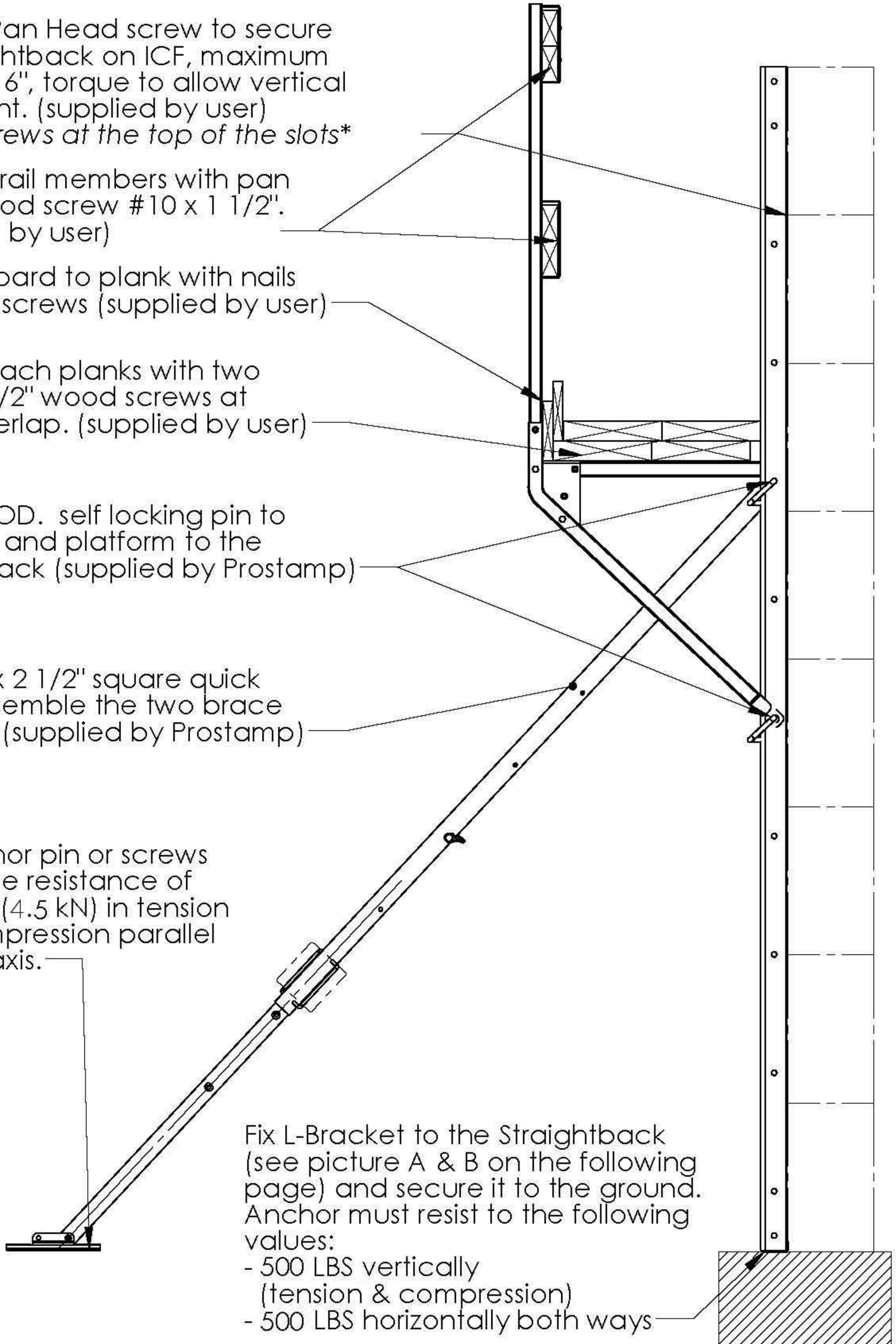
Use 1/2" OD. self locking pin to fix brace and platform to the straightback (supplied by Prostamp)

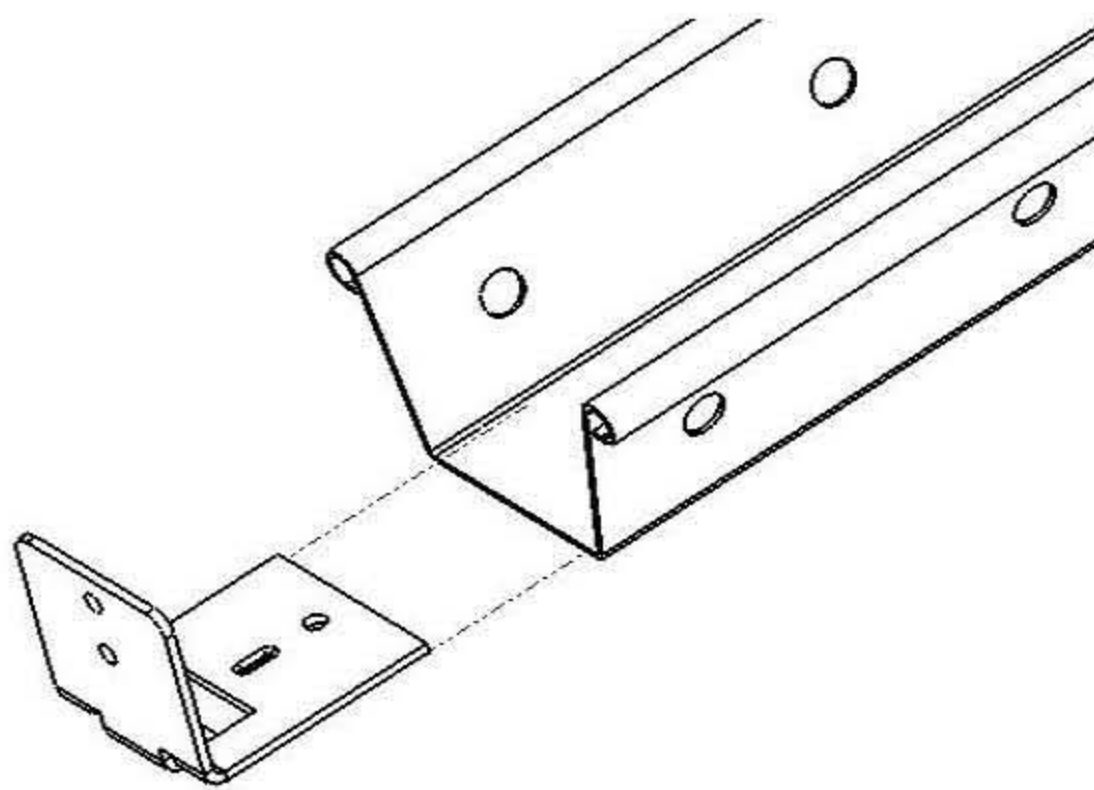
Use 3/8" x 2 1/2" square quick pin to assemble the two brace together (supplied by Prostamp)

Use anchor pin or screws to provide resistance of 1000 LBS (4.5 kN) in tension and compression parallel to tube axis.

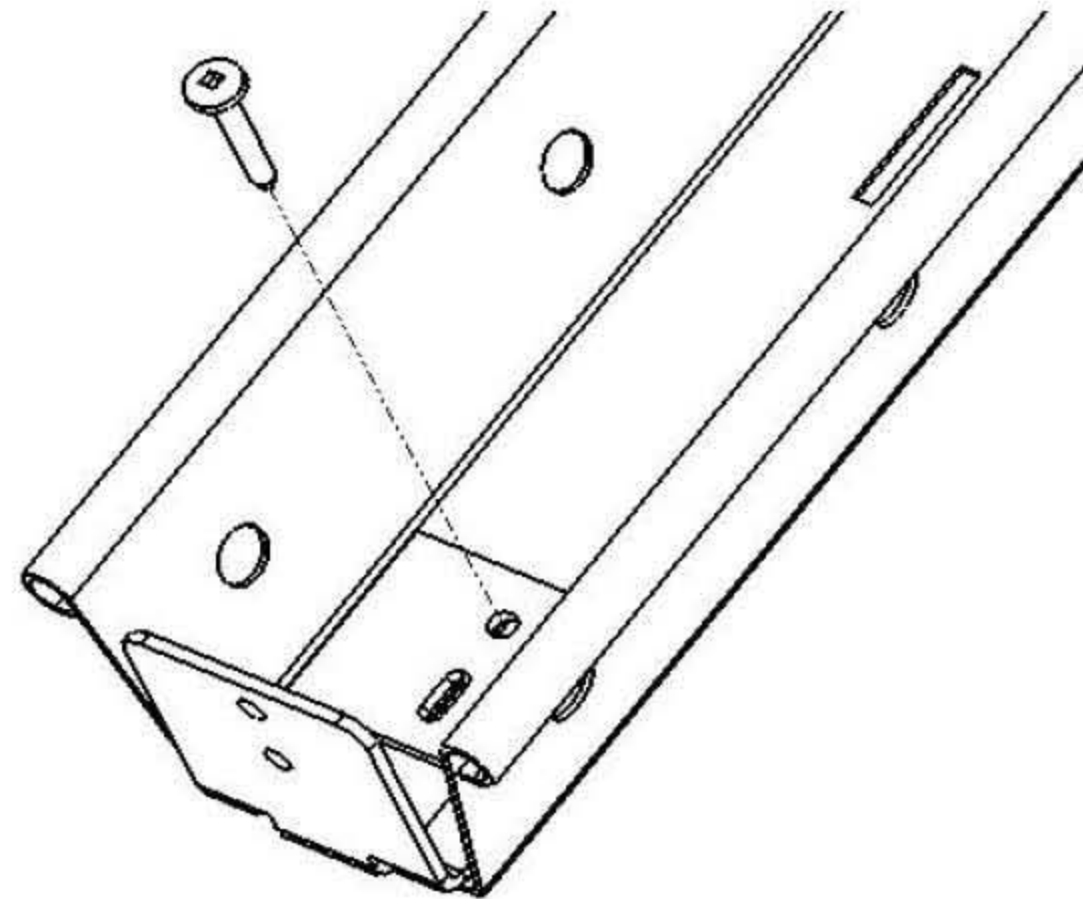
Fix L-Bracket to the Straightback (see picture A & B on the following page) and secure it to the ground. Anchor must resist to the following values:

- 500 LBS vertically (tension & compression)
- 500 LBS horizontally both ways

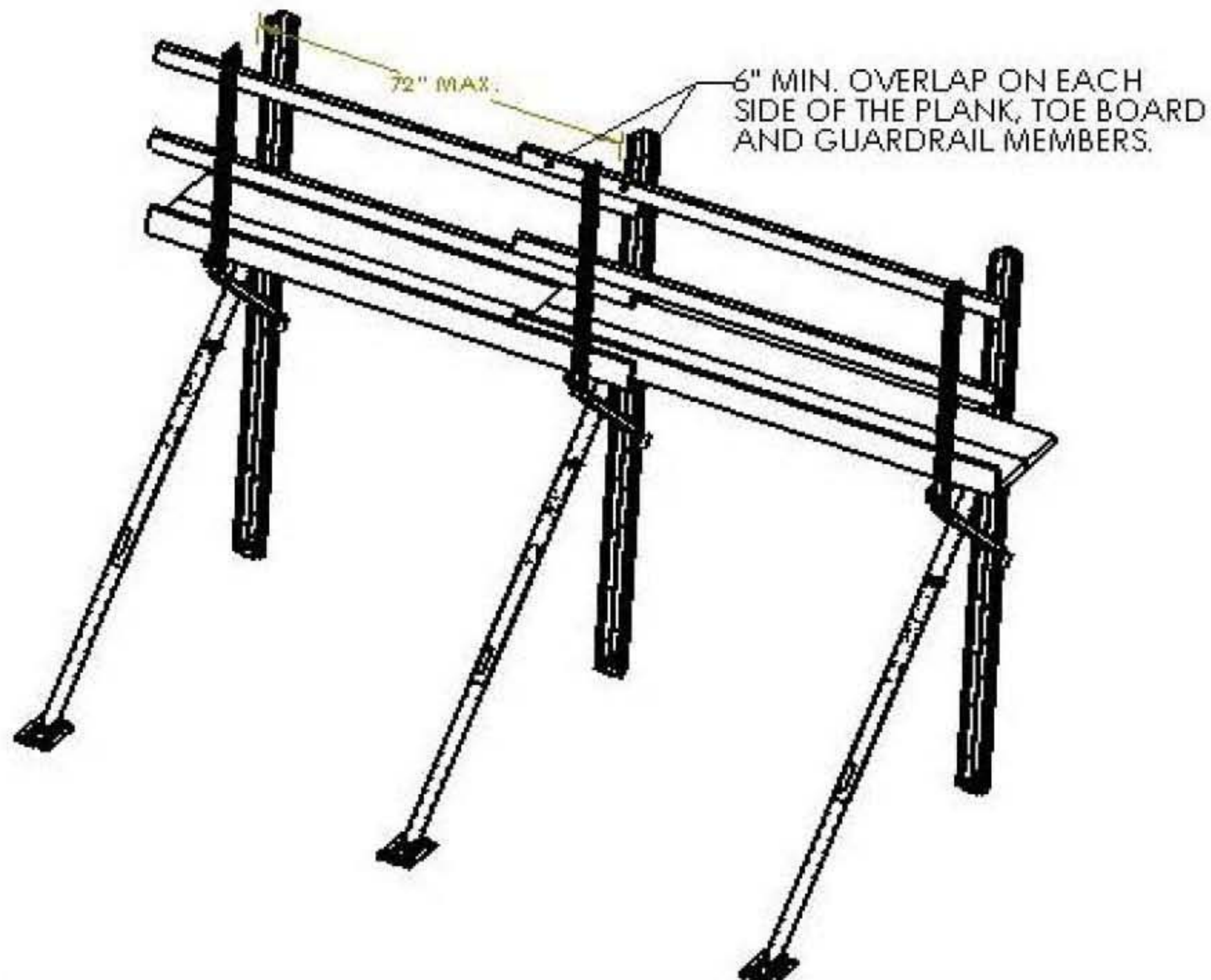




Picture A; L-bracket positioning



Picture B, L-bracket fixation



Picture C; 3 Girafe kits with scaffold planks and handrail members

SCAFFOLDING SPECIFICATION:

- Maximum vertical load per scaffold section : 500 LBS (2 . 2 kN)
- The maximum spacing between platform bracket is limited to 6 feet (1.83 m)
- The Giraffe alignment system is designed to resist wind pressures resulting from wind of up to 50 mph (80 km/h) on an unoccupied scaffold.
- All workers must evacuate and all equipment be removed from the scaffolding if the wind speed exceed 31 mph (50 km/h).
- Additionnal support must be provided if wind speed exceed those values.